



**GOLD MEDAL® PRODUCTS CO.**

# ReadyServe® One

Model No. 2784-00-000 2784-00-010 and 2784-00-050 2784-00-060

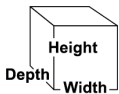
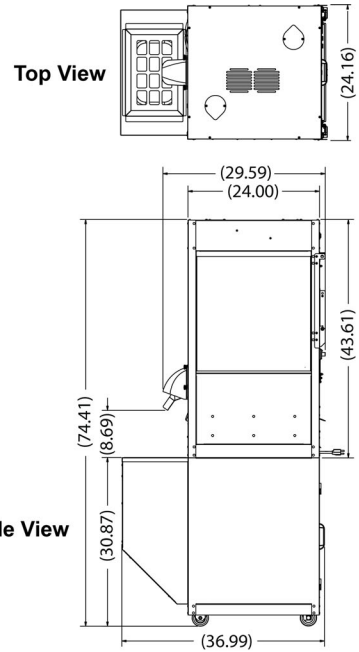
## Specifications



**Model 2784 (010) shown**  
Back Counter Unit



**Model 2784 (050) shown**  
Front Counter Unit  
(Base included)



General images shown for reference only.

### Overall Dimensions:

**Width:** 24.16" (61.4 cm)

**Depth:** 36.99" (94 cm)

**Height:** 74.41" (189 cm)

Dimensions above are for ReadyServe One on a Base (also see drawing).  
(Countertop ReadyServe One on 4" legs: 24.16" x 29.59 x 47.61")

### Electrical - Domestic

120V

520 WATTS 60 Hz

(NEMA 5-15P) Plug

**Plug Type:**



NEMA 5-15P

**Agency Approvals:**



Intertek



### ReadyServe One Unit Features:

Electrical specs shown are for ReadyServe One unit only.

- **2784-00-000:** Front Counter (doors opposite of customer side), countertop unit; Base sold separately.
- **2784-00-010:** Back Counter (doors on customer side), countertop unit; Base sold separately.
- **2784-00-050:** Front Counter unit (doors opposite of customer side) with Base included.
- **2784-00-060:** Back Counter unit (doors on customer side) with Base included.
- Popcorn crisping system.
- Pushbutton activated popcorn dispenser.
- LED lighted sign; LED cabinet lighting.
- Stainless steel cabinet constr. with integrated cupholder.

### Model 2776-00-010 Dispenser Base Features:

- Electrical includes a power cord w/NEMA 5-15P plug and a 5-15R receptacle only (to accept a ReadyServe One).
- Stainless steel storage cabinet with rolling casters; removable 28qt. wastebasket for dispense debris.



**Gold Medal Products Co.**

10700 Medallion Drive, Cincinnati, OH 45241

Ph: (513) 769-7676, (800) 543-0862; Fax: (513) 769-8500

gmpopcorn.com info@gmpopcorn.com